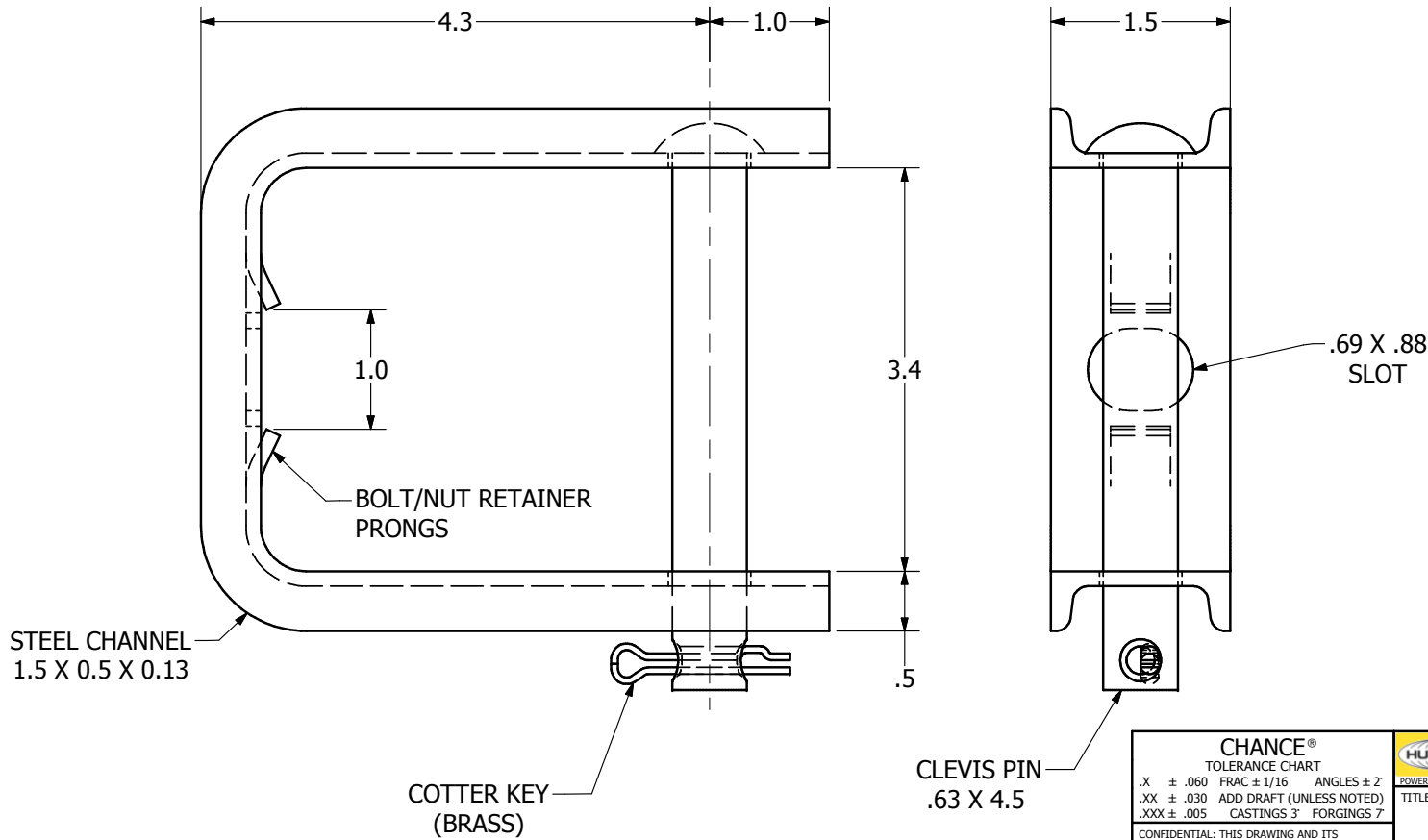
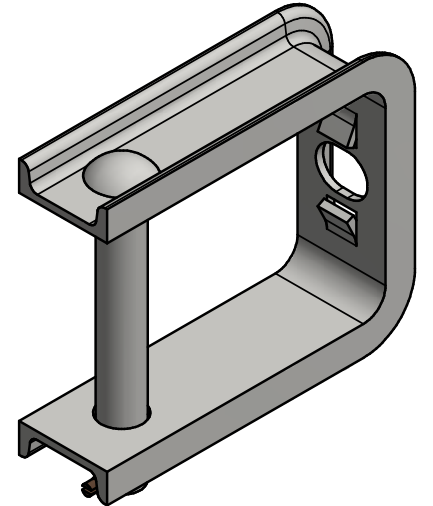


NOTES

1. MATERIAL: STEEL
2. HOT DIP GALV. PER ASTM A153
3. ASSEMBLED AS SHOWN



CATALOG NUMBER 469

CF THIS SYMBOL IDENTIFIES CRITICAL FEATURES

CHANCE® TOLERANCE CHART .X ± .060 FRAC ± 1/16 ANGLES ± 2° .XX ± .030 ADD DRAFT (UNLESS NOTED) .XXX ± .005 CASTINGS 3° FORGINGS 7°		HUBBELL® POWER SYSTEMS, INC. HUBBELL POWER SYSTEMS, INC.	
CONFIDENTIAL: THIS DRAWING AND ITS CONTENTS ARE CONFIDENTIAL AND THE EXCLUSIVE PROPERTY OF HUBBELL POWER SYSTEMS. NO PUBLICATION, DISTRIBUTION, OR COPIES MAY BE MADE WITHOUT THE WRITTEN CONSENT OF HUBBELL POWER SYSTEMS. HUBBELL POWER SYSTEMS UNPUBLISHED ALL RIGHTS RESERVED UNDER THE COPYRIGHT LAWS.			
TITLE INSULATOR CLEVIS			
SIZE B	CAT / PART / ASSY NO. 469	DWG NO. SA469	REV C
DO NOT SCALE THIS DRAWING	DRN BY WILSON	DATE 02/26/15	SHEET 1 OF 1